

Date of Order: _____ Order #: _____ Sidemark: _____ P.O. #: _____

Special Shipping Directions: _____

SOLD TO:	
Business Name:	_____
Address:	_____
City / State / Zip:	_____
Phone #:	_____ Fax #: _____
Email:	_____
Ordered By:	_____
Signature:	_____

SHIP TO:	
Business Name:	_____
Address:	_____
City / State / Zip:	_____
Contact Name:	_____
Phone #:	_____ Fax #: _____
Email:	_____

ORDER DETAIL - Please see reverse for glossary and definition of terms.

Item #	Room	Qty	1 Motor Part No.	2 Width (in.)	3 Tandem	4 Motor Side	5 *Track Type	6 Stack (L/R/S)	7 **If Bent: # of bends	8 Carrier Type	9 Bracket		10 Butt Master	11 Splice
											Part No.	Qty.		
Example	Living Room	1	1001617	144		Left	F	S	2	RF80	1780907	7	NO	X
1														
2														
3														
4														
5														
6														

* For curved tracks, Skyco requires a template be provided. Please see Directions for Creating a Template for Drapery Curves on page 23 for template information.

** For bent tracks, Skyco does not require a template. Please include the Bent Drapery Tracks Measurement Form on page 22 for exact measurements per angle and return.

NOTE: Skyco includes a center splice every 16' of track. Please indicate in the "SPECIAL INSTRUCTIONS" section if your requirements differ from Skyco's standard.

CONTROLS:
In the space provided below, please list the part number(s) for the control(s) you desire. Please see pages 14 & 15 for control information
Given the nature of custom motorization products, control options and compatibility varies dramatically. If you would like further assistance with control options, simply note it in the field below and one of our customer service specialists will contact you upon the submission of your order.

SPECIAL INSTRUCTIONS
For example, special instructions include use of a small pulley, different overlap, inverted top-mount motor, etc.

1	Motor	Part Number
	Glydea® 35e Motor DCT with 10' plug	1002465
	Glydea® 35e Motor RTS with 10' plug	1001615
	Glydea® 35e Motor RS485 with 10' plug	1002109
	Glydea® 35e Wired	1002464
	Glydea® 60e Motor DCT with 10' plug	1001538
	Glydea® 60e Motor RTS with 10' plug	1001617
	Glydea® 60e Motor RS485 with 10' plug	1002108
	Glydea® 60e Wired	1001537

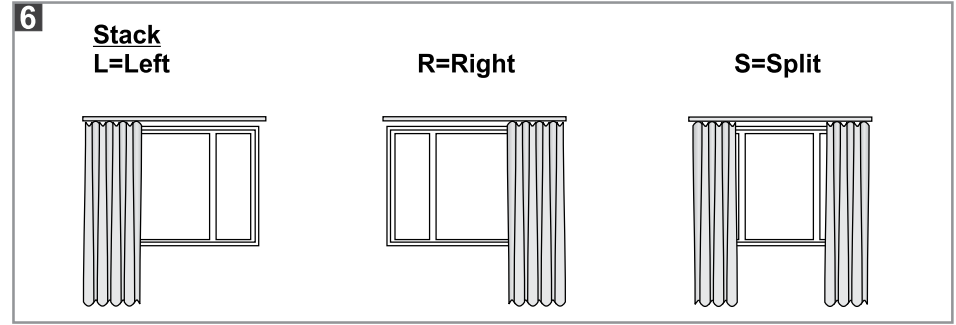
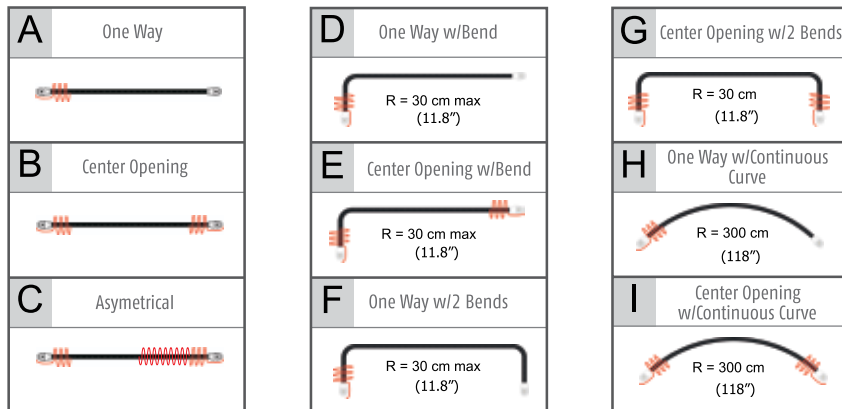
2 Width (Inches)
 Glydea® motorized tracks are custom built according to the specified width. Please note that the finished track width is measured pulley end to pulley end. For bent and curved tracks please provide the total of all wall measurements. When fabricating your drapery please add 1.5" to your return.

3 Tandem Y=Yes N=No
 Tandem motorized systems utilize two Glydea® motors. Items needed for tandem systems should be noted in the **Special Instructions** Section of the order form. See page 21 for specification information.

Dry Contact
 Splitter # 9015442
 7ft Modular Cable # 9013346
 25 ft. Modular Cable # 9013149
 35 ft. Modular Cable # 9013338

4 Motor Side
L=Left Side R=Right Side
 Choose the motor side best suited for your installation.

5 Track Type
A-I See below O=Other
 NOTE: Skyco requires a template for all curved tracks. Please see **Directions for Creating a Template for Drapery Curves** on page 23 for necessary information.



7 If Bent: # of Bends
1=1 Bend, 2=2 Bends, 3=3 Bends, etc
 NOTE: Skyco requires exact angle measurements for all bent tracks. Please submit completed and signed **Bent Drapery Track Measurement Form** page 22 with all bent track orders.

8 Carrier Type
 PP=Pinch Pleat (QTY of 3 per foot included)
 RF80 = RippleFold® 80% fullness (QTY of 5 per foot spaced every 2 3/8" included)
 RF100 = RippleFold® 100% fullness (QTY of 6 per foot spaced every 2 1/8" included)
 RF120 = RippleFold® 120% fullness (QTY of 7 per foot spaced every 1 7/8" included)

9 Brackets
 NOTE: Brackets are not included and must be ordered separately.
Part Numbers
 One Touch Ceiling Bracket (not recommended for curved tracks) 1780907
 4.5"-6" Wall Mount Bracket 1782054
 8.75"-10.25" Double Wall Mount Bracket 1782053
 Swivel Ceiling Bracket (strongly recommended for curved tracks) 1780906
 Skyco recommends one (1) bracket by each pulley and one (1) bracket every 24". Additionally, one (1) bracket should be placed on each side of a splice if used.

10 Butt Master
Y=Yes N=No
 Only available for RippleFold® center opening systems. Quantity 2 required; please note item numbers in **Special Instructions Section** of the order form item # 1780953.

11 Splice
X=Special splice instructions
 Skyco includes a center splice every 16ft of track. Please indicate in the Special Instructions Section if your requirements differ from Skyco's standard.